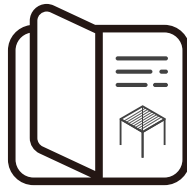


**PERGOLA
ECOLINE
FREE STANDING**

INSTRUCTION MANUAL.

3x4

We appreciate your purchase of our Pergola.



Instruction Manual

This guide will give you step-by-step instructions on how to assemble and care for your pergola, ensuring it lasts for years of enjoyment and reliable use.

IMPORTANT:

Warning: Safety Instructions

For the safety of individuals, it is crucial to follow these instructions. Please retain them for future reference.

Children and individuals with disabilities or limited experience may use the appliance if they are properly supervised or trained and understand the potential risks.

Children should not be allowed to play with the appliance. Cleaning and maintenance tasks should only be performed by children under supervision.

This pergola is designed for outdoor residential use, providing protection from direct sunlight, glare, and heat.

Any use or modification not outlined in this manual is considered improper and could pose significant risks to both users and property. Such actions will void the product warranty.

BEFORE THE INSTALLATION

PREPARE ALL THE NECESSARY TOOLS

To assemble your pergola properly and safely, make sure you have the following tools and accessories on hand, as these are not included.



2 step ladders



Protective gloves



Hexagonal spanner/wrench set



Phillips screwdriver



Hammer



Tape measure



Hard hat



Box cutter



Hammer drill



Spirit level



Cordless screwdriver



Scissors

CHECK FOR MISSING PARTS:

Before starting the installation, verify that you have all the necessary parts to assemble your e-Motion. Double-check that the quantity of parts matches the model you purchased.

If any parts are missing, please reach out to customer service before proceeding with the installation.

PREPARE THE PARTS FOR EACH STEP:

In the Installation section of the manual, each step specifies the parts and quantities needed. We recommend gathering the necessary parts ahead of time for each step. This will help save you time and make the assembly process smoother. To avoid damaging the painted surfaces, place the parts on cardboard or another soft surface if possible.

CHOOSE AN APPROPRIATE LOCATION:

The ground should be solid and level.	The ground must be flat and even.	Ensure there is adequate water drainage in the area.	Make sure the location has easy access to power, if needed	Avoid areas with overhanging trees or powerlines.

WARNING:

Many terraces or patios are built with a slight slope to direct rainwater away from the house or other structures. For proper pergola installation, a completely level surface is required. Small pebbles or uneven ground may prevent the pergola from being securely anchored.

If the pergola is installed on an uneven surface, it may affect the performance of accessory components and could void the product warranty. You may also need to adjust the height of the pillars for proper installation.

PREPARE THE FOUNDATION:

To get your foundation ready, make sure to:




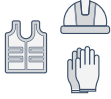



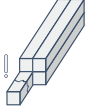
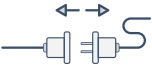
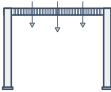
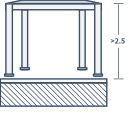



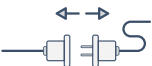


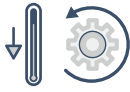


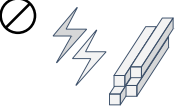

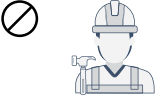

Check for underground pipes and cables (call local relative authorities before digging).

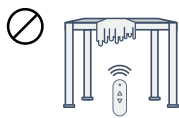
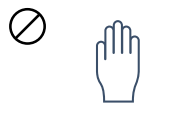
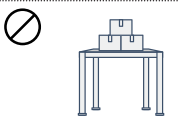
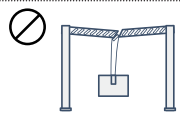

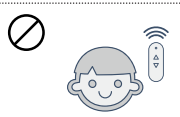
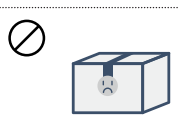
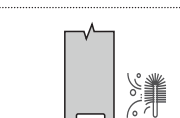


Verify with local authorities if any building permits are necessary.

If you're opting for a concrete base, consult with a reputable contractor.

IMPORTANT SAFETY SUGGESTIONS

To ensure the safety of everyone involved in the installation and use of the pergola, it is essential to follow the safety guidelines listed below.

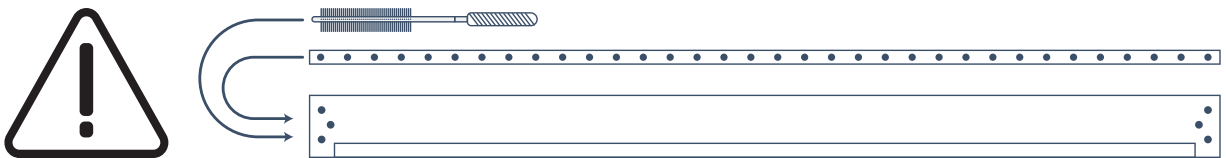
	<p>The pergola must be placed and secured on a flat, level surface.</p>		<p>Always wear suitable work shoes, gloves, and eye protection during assembly.</p>
	<p>When using power tools or a ladder, always adhere to the manufacturer's safety instructions.</p>		<p>Always wear protective gear to minimize the risk of injury in case of a fall.</p>
	<p>Ensure the pergola meets local building regulations and codes.</p>		<p>Do not step on the louvers.</p>
	<p>Use only ladders and scaffolding that can support the required weight.</p>		<p>Visually inspect the pergola for damage prior to each use. If damage is detected, stop using it immediately and reach out to authorized personnel to fix it.</p>
	<p>Remove any excess cords and disconnect any non-essential equipment before installing the drive.</p>		<p>To avoid damage, set the louvers in the vertical position during snow or windy conditions.</p>
	<p>Unprotected moving parts that pose a hazard should be installed more than 2.5 meters above the floor or any surface that could allow access to them.</p>		<p>Always use replacement parts that are approved by the manufacturer.</p>
	<p>To avoid damage to the pergola, ensure that foliage or foreign objects on the louvers and in the guide rails are removed frequently.</p>		<p>Only certified personnel are authorized to carry out electrical installation, following the relevant regulations</p>
	<p>Disconnect all electrical connections from the mains prior to installation.</p>		<p>Operate the pergola remotely only when you can see the moving parts clearly.</p>
	<p>Only a licensed electrical contractor should install the power sources for electric pergolas.</p>		<p>If the motor undergoes repeated open-close cycles, it may enter overheat protection mode and will return to normal once it cools down.</p>
	<p>Keep children and pets away from the assembly area until the installation is fully completed.</p>		<p>Dispose of all plastic bags responsibly and keep them out of reach of children.</p>
	<p>Keep a safe distance from power lines, especially when handling metal parts.</p>		<p>Avoid assembling the pergola in windy or wet conditions.</p>
	<p>In the event of a damaged supply cord, only the manufacturer, a service agent, or similarly qualified personnel should replace it</p>		<p>Do not store hot items, such as recently used grills or blowtorches, under or near the pergola.</p>

	To prevent damage to the louvers' drive, do not operate the roof mechanism in the presence of frost or ice.		Keep clothing and body parts clear of the pergola to avoid them becoming caught in the moving parts.
	Keep items off the louvers.		It is not allowed to hang objects on the pergola, as it may result in serious damage.
	Before making any modifications to the design or configuration of the equipment, consult the manufacturer or an authorized representative.		Keep children away from the fixed controls and ensure remote controls are out of their reach.
	The warranty will be voided, and the operating mechanism may be damaged if non-original branded accessories are installed.		Please keep the drainage holes of the column clean by brushing them regularly with a soft brush.
	We guarantee the resistance of the pergola for winds up to 80km/h		We guarantee the resistance of the pergola for a maximum snowweight of 30kg/m2

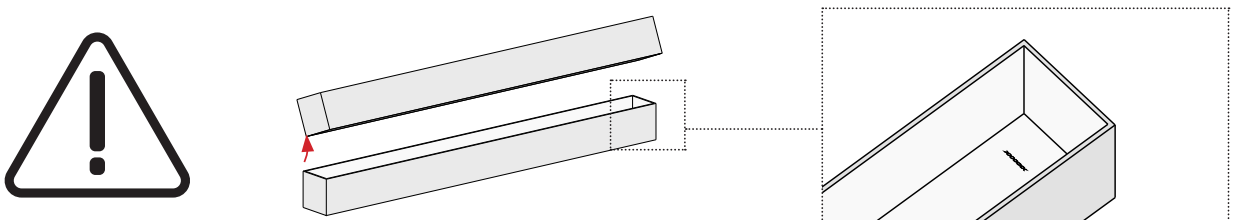


2 PERSONNEL REQUIRED

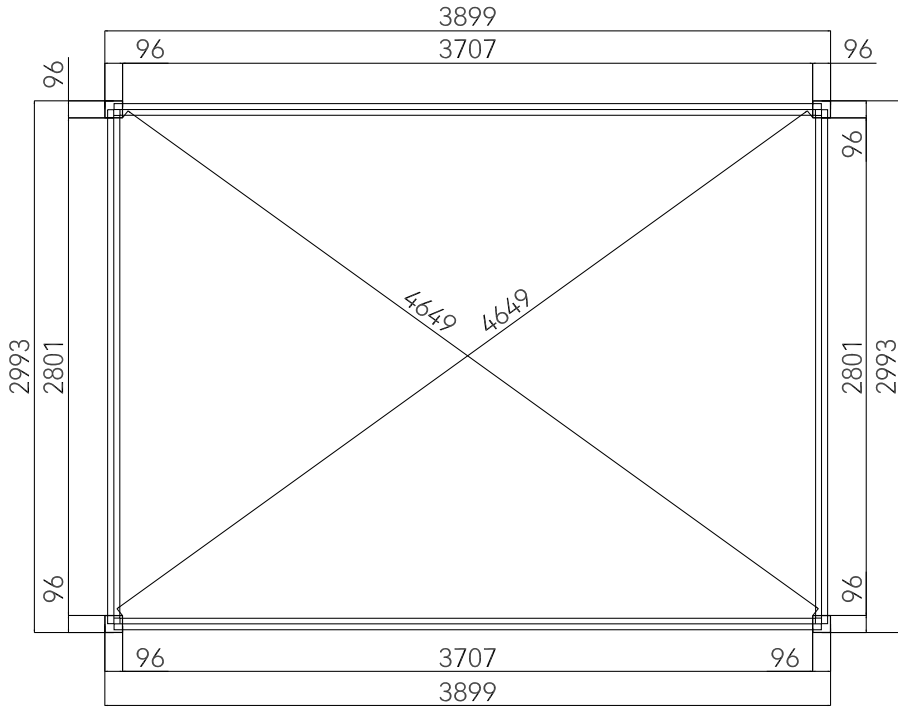
Connecting bar & brush are in the cavity of the beam.



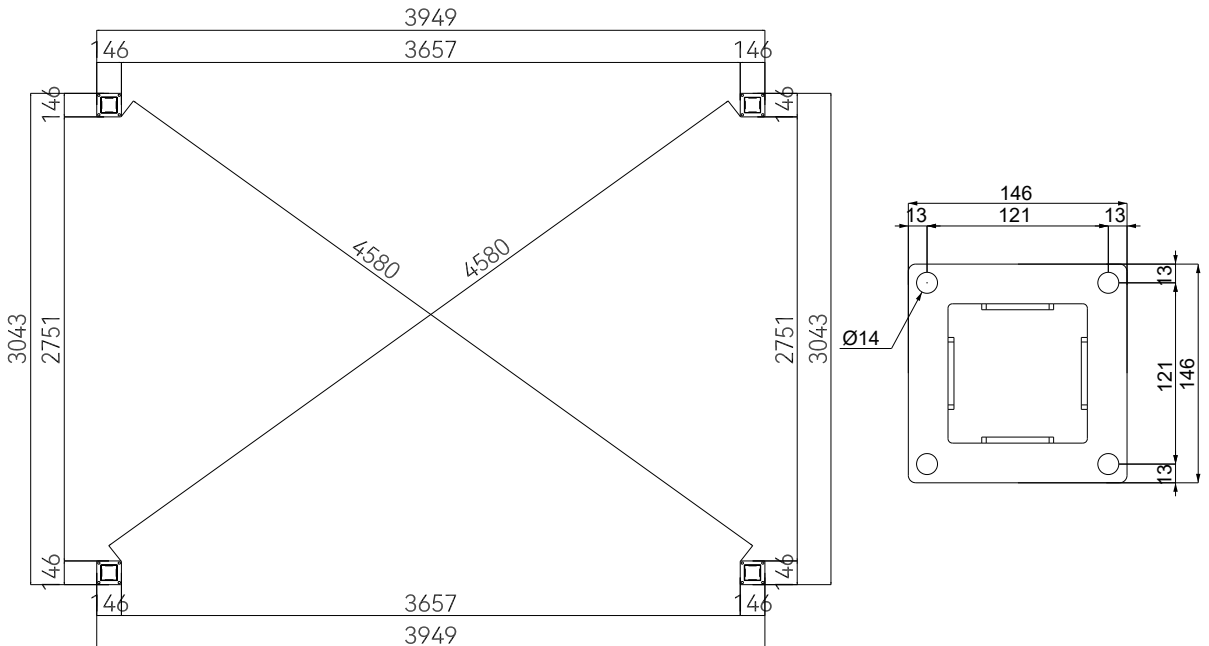
There is a Product Tracking Number in the inner side of the carton(see below diagram). For better and efficient after-sales in the future, when tear down the carton box, please take a photo of the Tracking Number and save the photo.



Plan Size




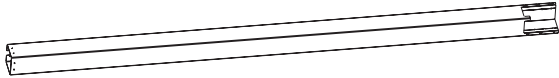

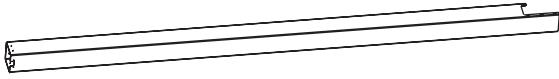
Base Plate Layout Plan


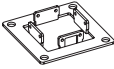


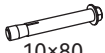

Spare Part List

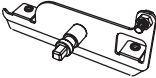
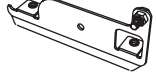
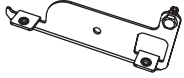


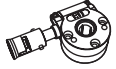



3X4







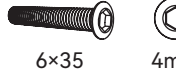


CARTON 1/4

No.	Profile	Diagram	Size	QTY
A4			96X96 L=2410mm	2
A5			96X96 L=2410mm	2

No.	Diagram	QTY
Q1-1		4
Q2-1		4

No.	Diagram	QTY
Q15	 10x80	16
Q20-2	 6x16 4mm	32

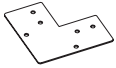
No.	Diagram	QTY
Q3		1
Q4		24
Q5		25
Q6		49
Q7-1	 6mm	24
Q8		1
Q9		1
Q10		24
Q11		1

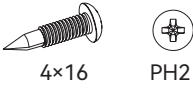
No.	Diagram	QTY
Q12		50
Q13		50
Q14	 5x6 3mm	100
Q16	 lock nut	51
Q17		48
Q18		2
Q19	 6x35 4mm	49
Q21	 6x45 4mm	3
Q24		48



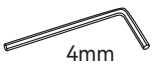

Spare Part List

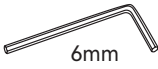
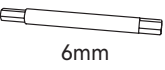

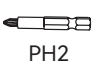
3X4

CARTON 1/4




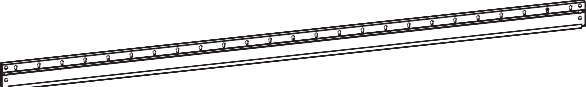





No.	Diagram	QTY
Q29		4

No.	Diagram	QTY
Q30	 4x16 PH2	24



No.	Diagram	QTY
Z1	 3mm	1
Z2	 3mm	1
Z3	 4mm	1
Z4	 4mm	1

No.	Diagram	QTY
Z5	 6mm	1
Z6	 6mm	1
Z7	 10mm	1
Z8	 PH2	1





CARTON 2/4

No.	Profile	Diagram	Size	QTY
B1			65X153 L=3800mm	1
B2			65X153 L=3800mm	1
C1			65X153 L=2894mm	2
F1			27X8 L=3650mm	2
H1			L=1300mm	1

CARTON 3/4

No.	Profile	Diagram	Size	QTY
G			166X34 L=2853mm	12

CARTON 4/4

No.	Profile	Diagram	Size	QTY
G			166X34 L=2853mm	12
G1			166X34 L=2853mm	1

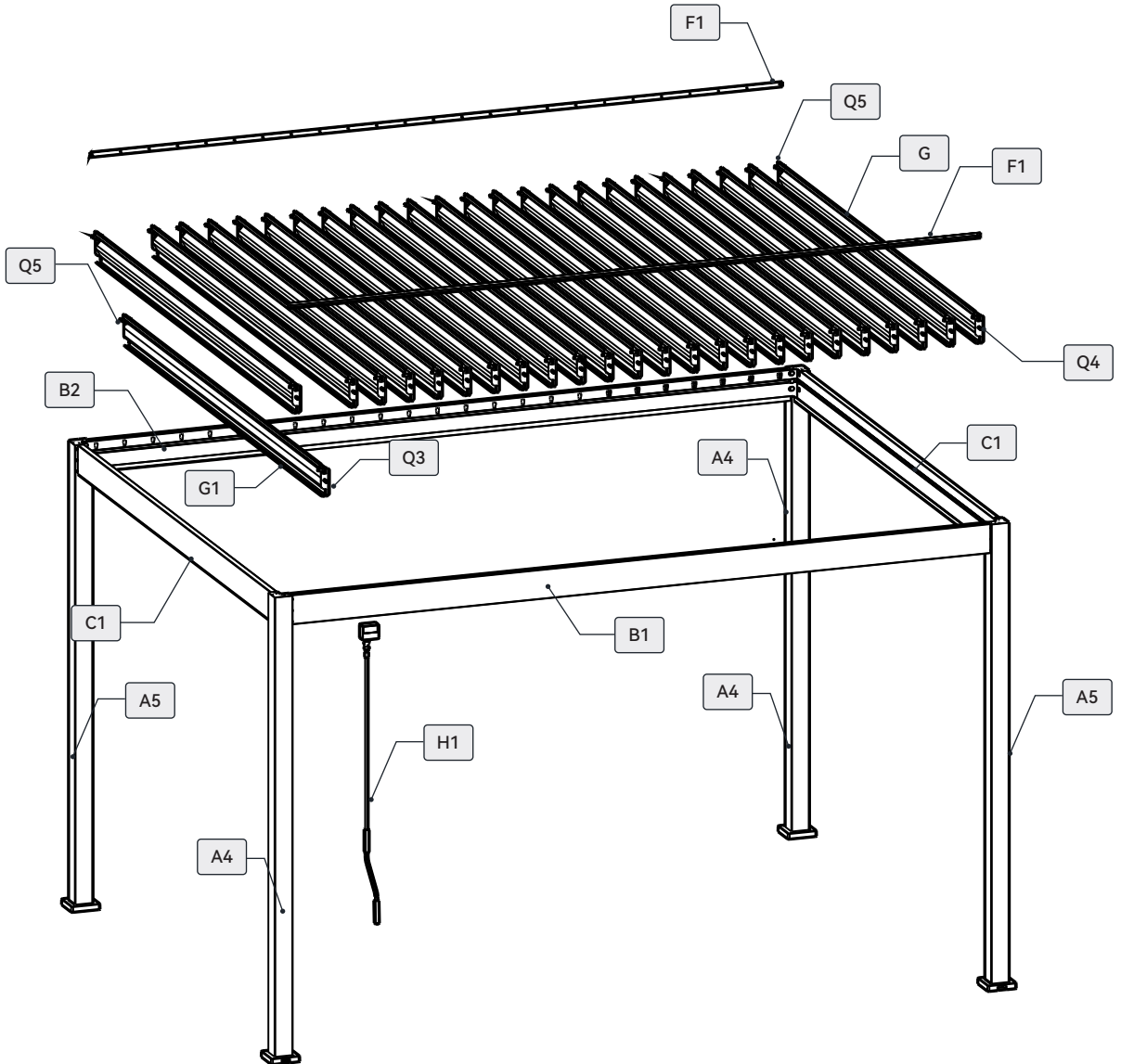
Before proceeding with the assembly of your louvered pergola, it is necessary to check that all parts listed are supplied and not damaged.

Any missing part must be reported within 10 days of delivery.

Do not discard the packaging without ensuring that the product is functioning properly.

Attention:

Please note that the outlet on the skirt should be in the front position for the front side, while for the rear side, the outlet is a mirror image of the front face.





Q5

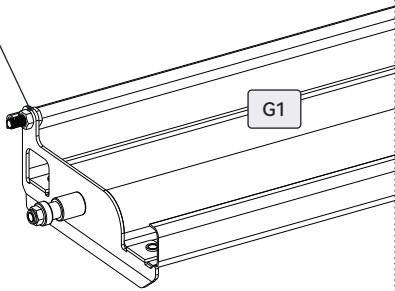
X1

Q3



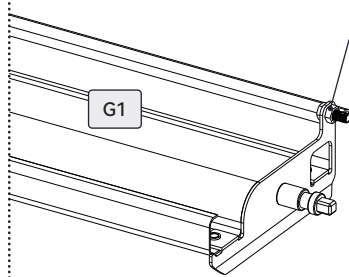
Q5

G1



Q3

G1



Q5

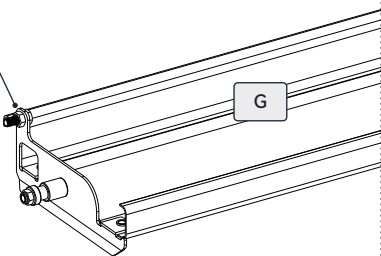
X24

Q4



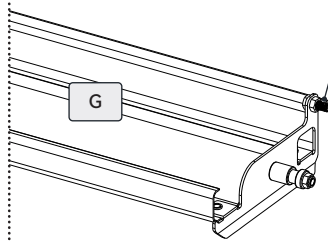
Q5

G



Q4

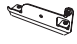



G






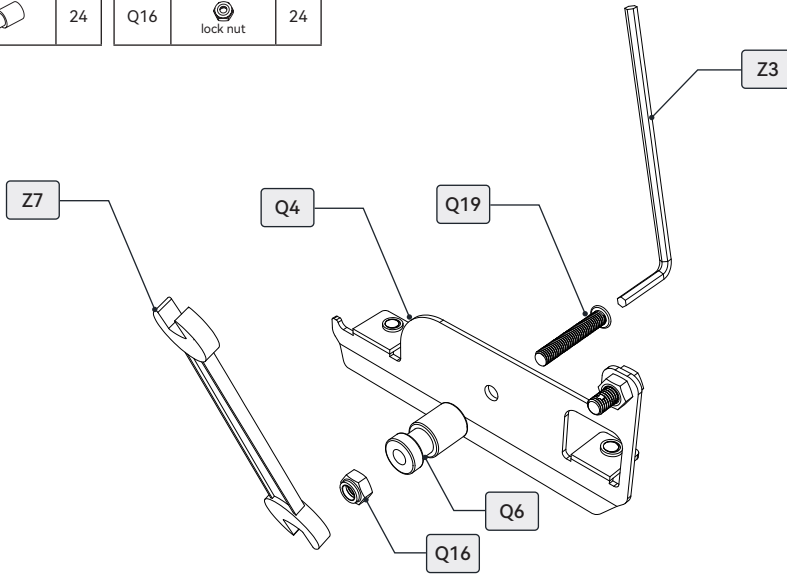
Attention:

Do not overtighten when assembling louver end caps. Q19 screw will not extend past Q16.

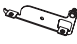



1.1




Q4		24	Q19		24
Q6		24	Q16		24

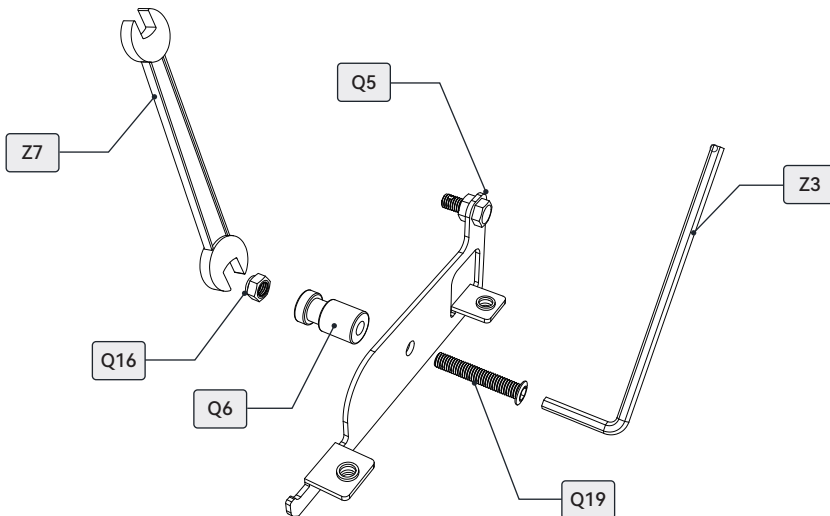
Z3		4mm
Z4		4mm
Z7		10mm



1.2

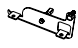
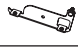
Q5		25	Q19		25
Q6		25	Q16		25




Z3		4mm
Z4		4mm
Z7		10mm





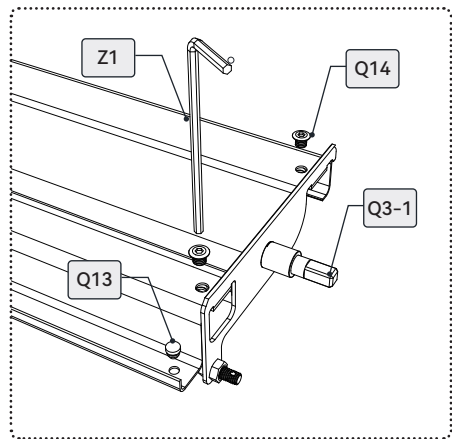
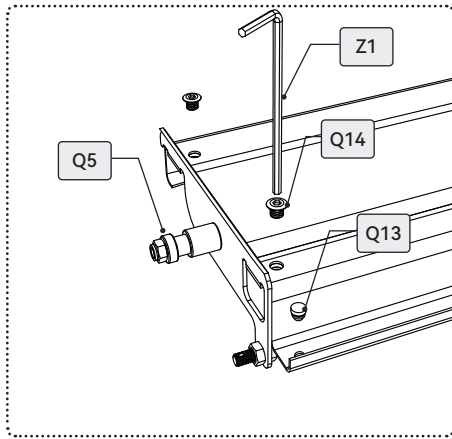
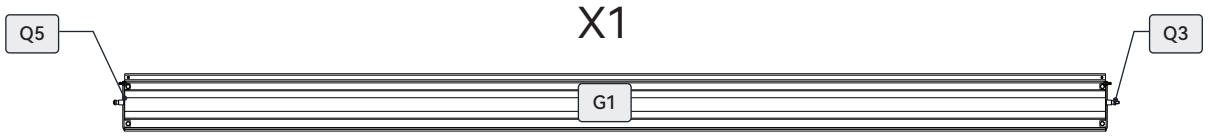
1.3

G1		1
----	---	---

Q3		1
Q5		1

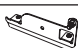
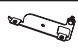
Q14			4
Q13			2




Z1		3mm
Z2		3mm

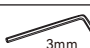



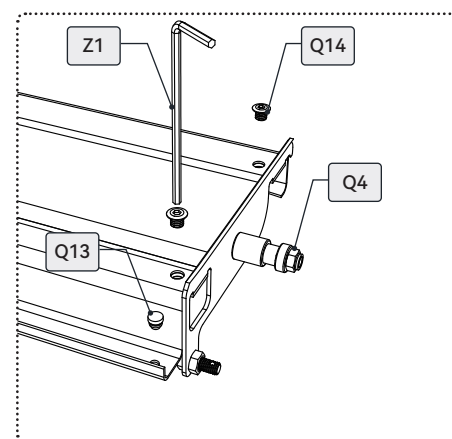
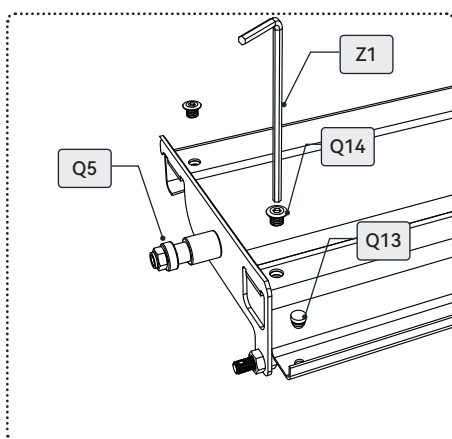
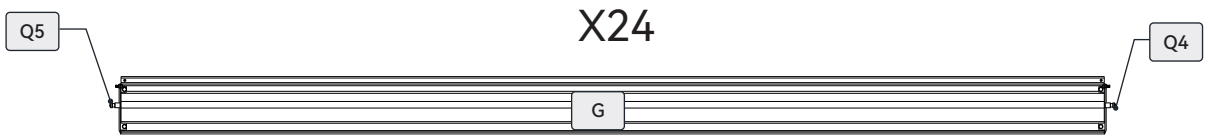
1.4

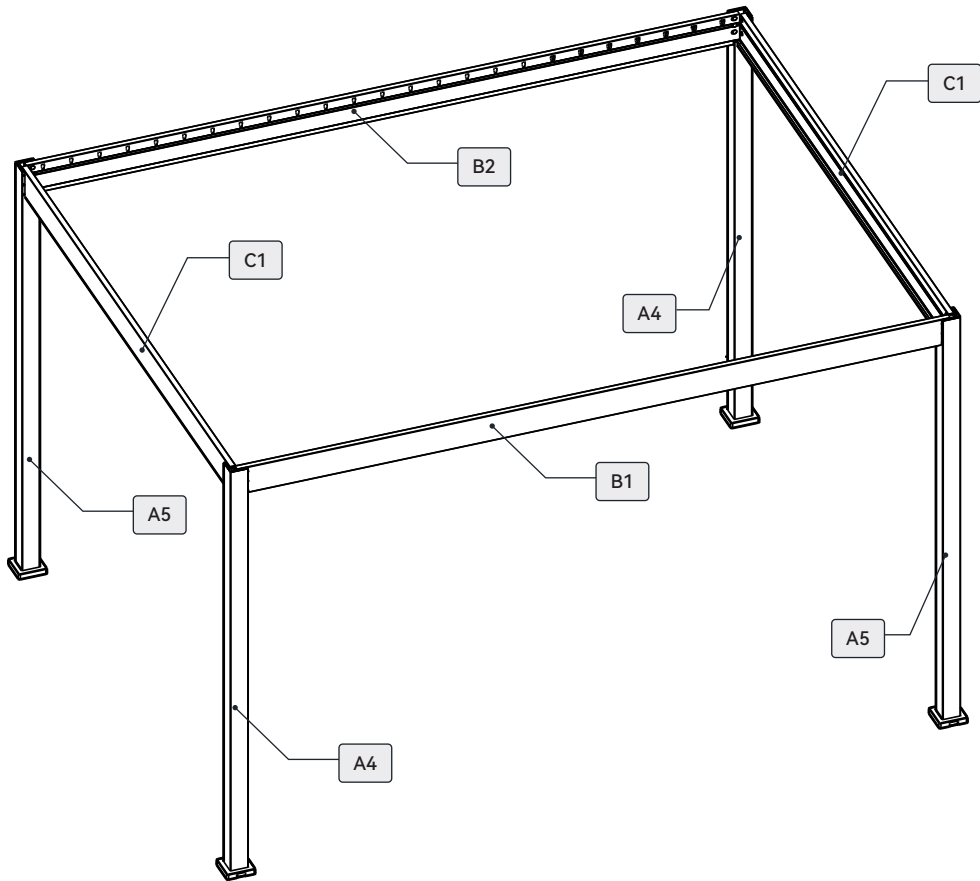
G1		18
----	---	----

Q4		24
Q5		24





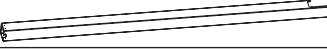



Q14			96
Q13			48

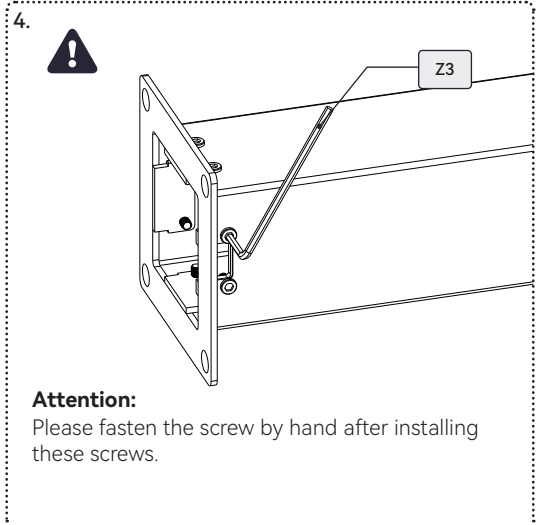
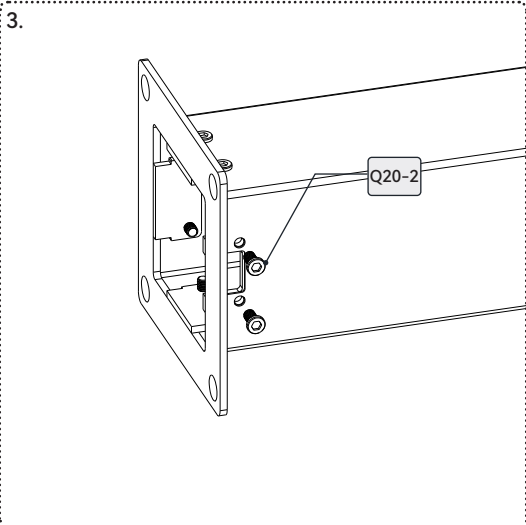
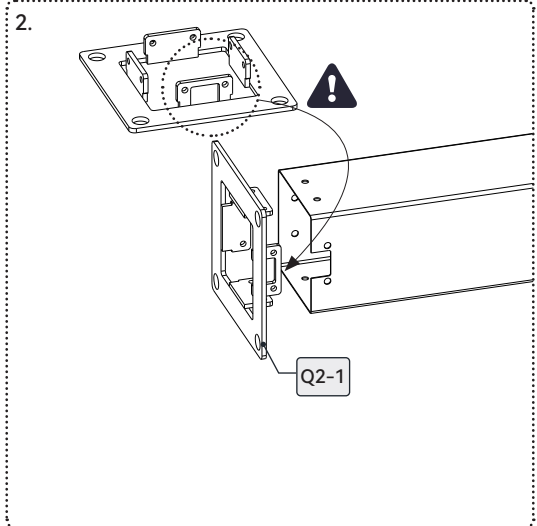
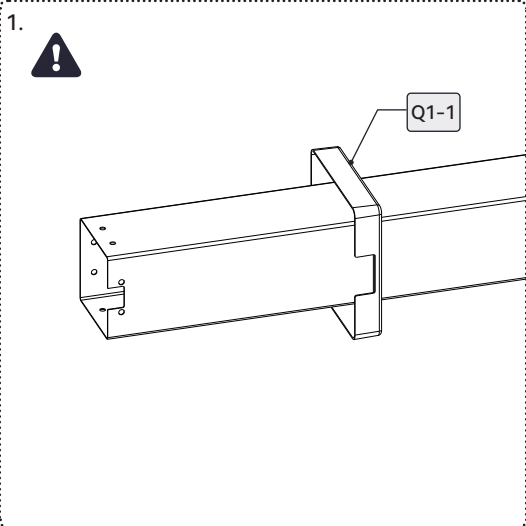
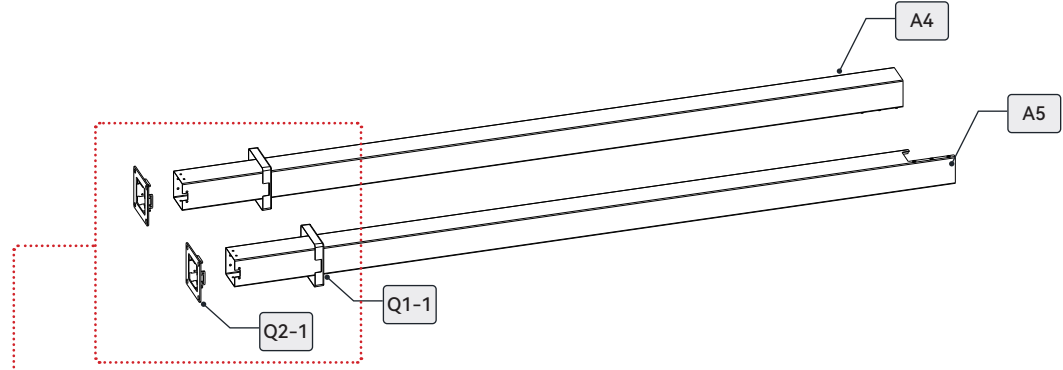
Z1		3mm
Z2		3mm





2.1

A4		2	Q1-1		4	Q20-2		6x16 4mm	32	Z3		4mm
A5		2	Q2-1		4	Z4						4mm


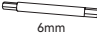


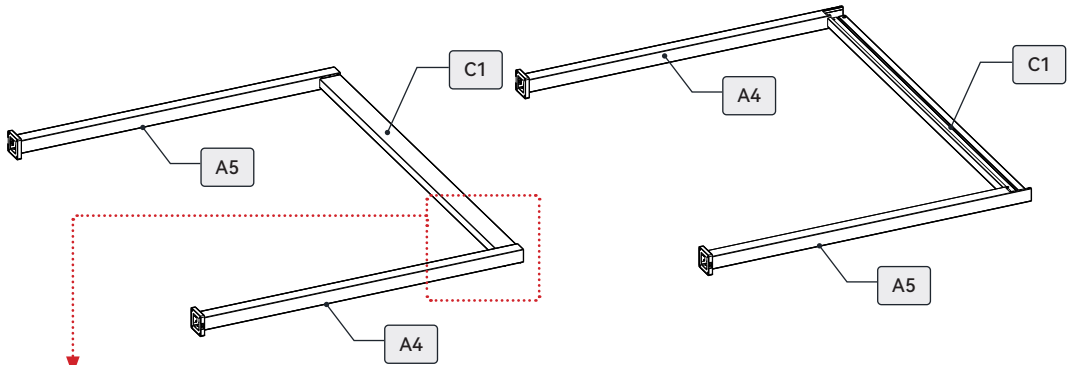
Suggestion:

Please exercise caution when placing aluminum profiles on the ground to avoid scratches.

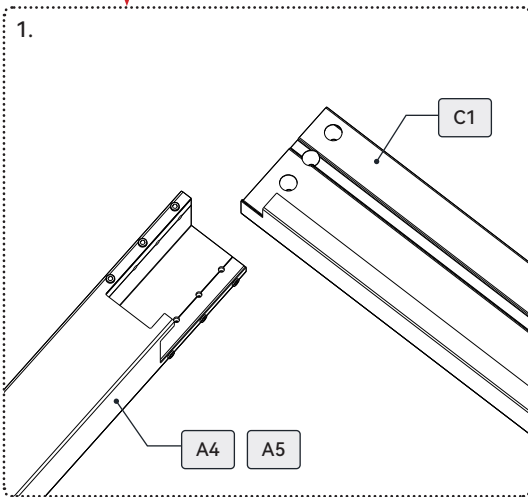
2.2

C1		2	Q7-1		6mm	12
----	---	---	------	---	-----	----

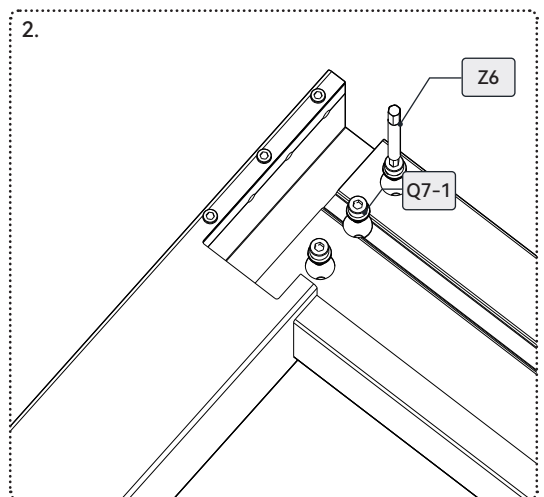
Z5		6mm
Z6		6mm



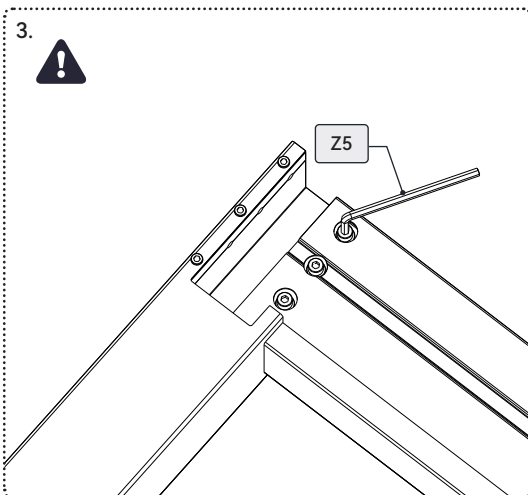
1.



2.





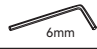

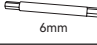
3.

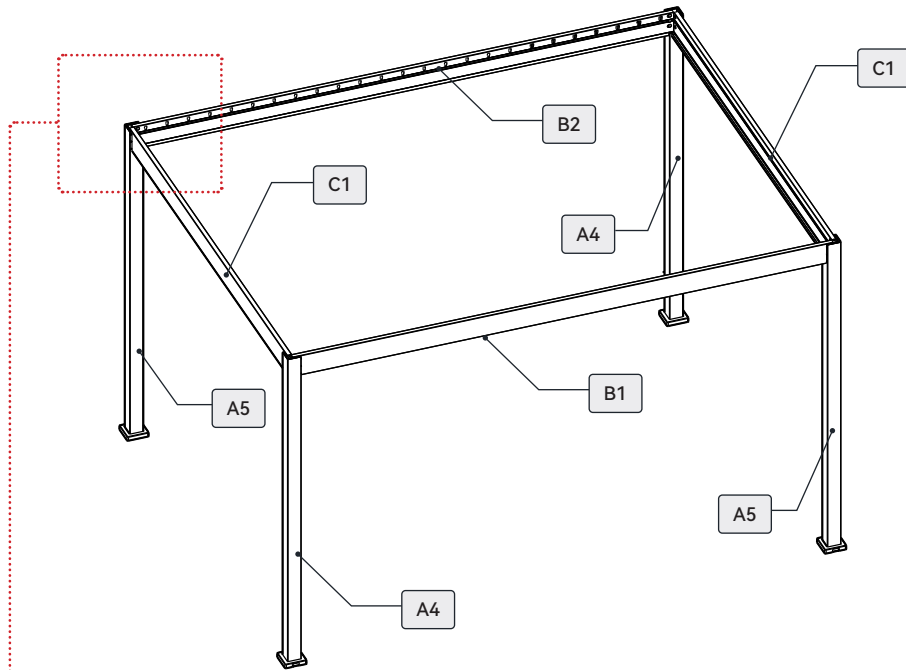


Attention:

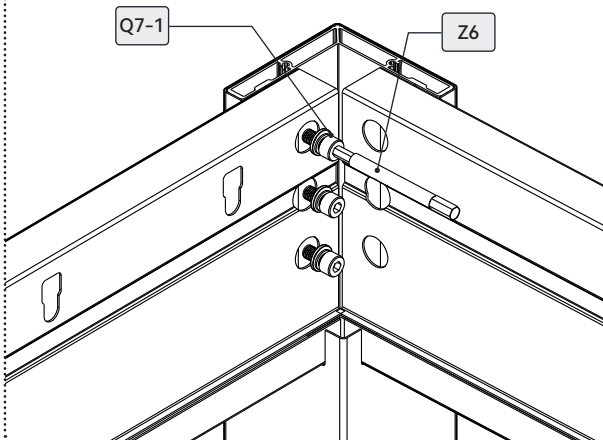
Please fasten the screw by hand after installing these screws.

2.3

B1		1	Q7-1		6mm	12	Z5		6mm
B2		1					Z6		6mm

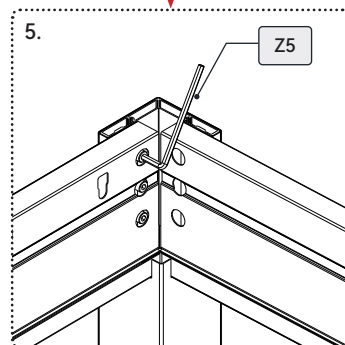
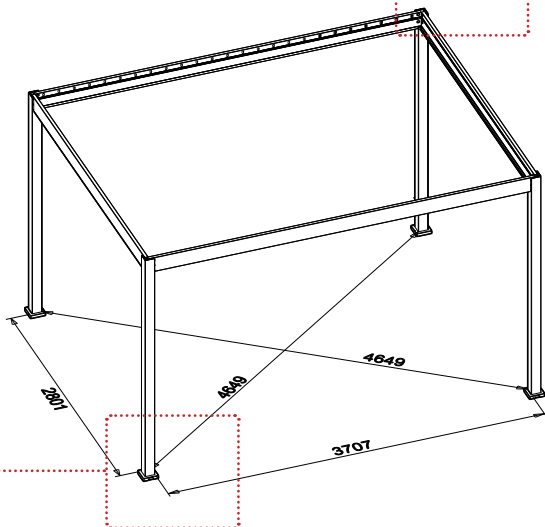
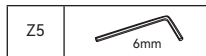
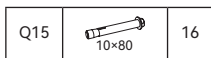


1.

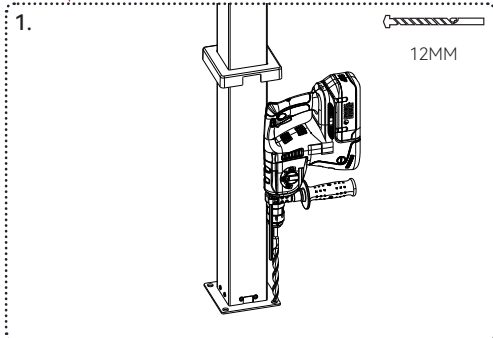


Attention:

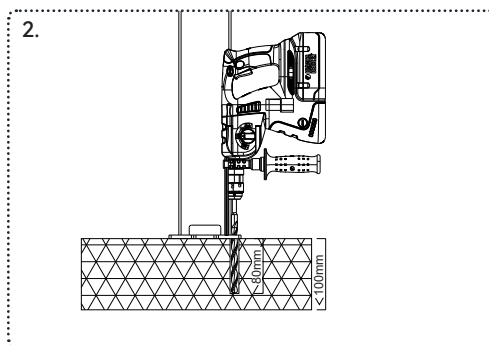
Adjust the overall pergola according to the dimensions between the post as shown in the diagram. Use a spirit level to ensure that all beams are level and that the posts are at a 90° angle to the ground.

2.4

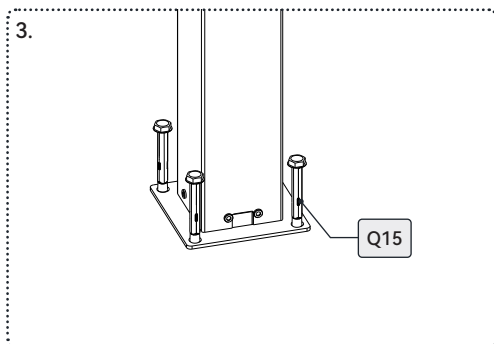
3. Tighten the screw with Z3 if needed.



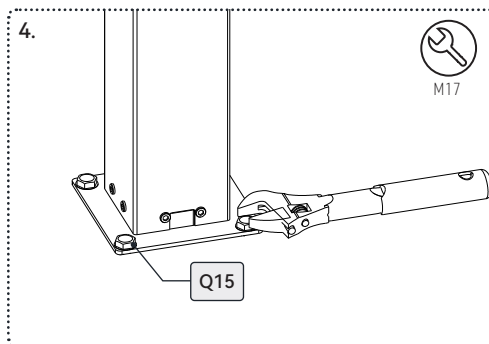
1. Use a 12 mm hammer drill to drill the holes.



2. Extend downward by 100mm.



3. Drive the expansion screw in with a hammer.



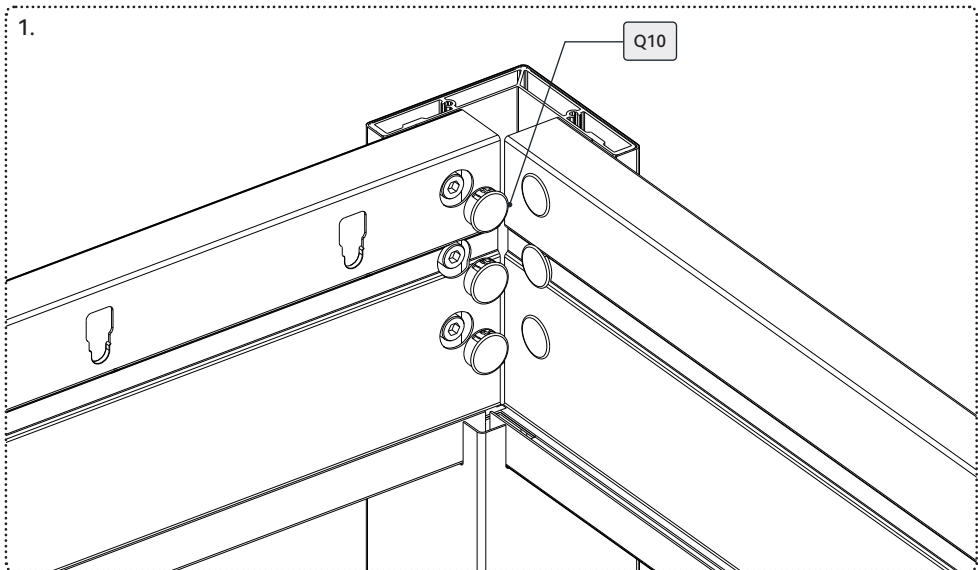
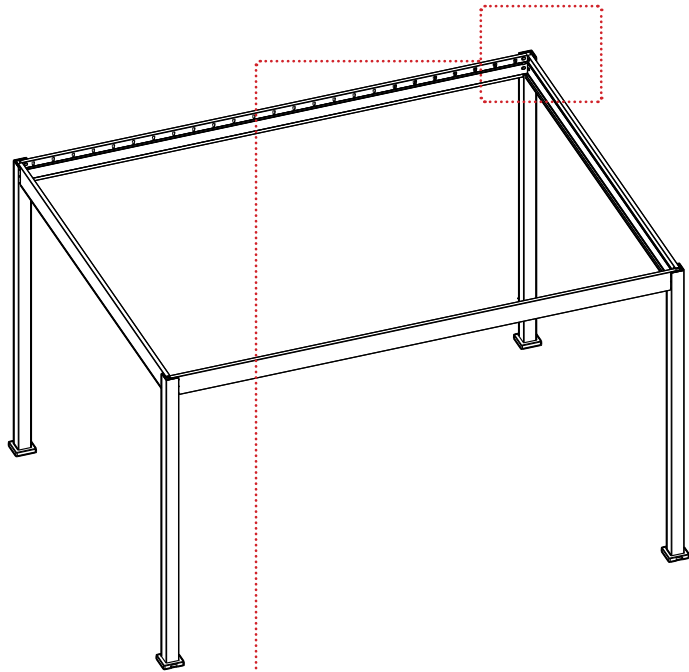
4. Insert the expansion bolts and tighten them with an M17 wrench.

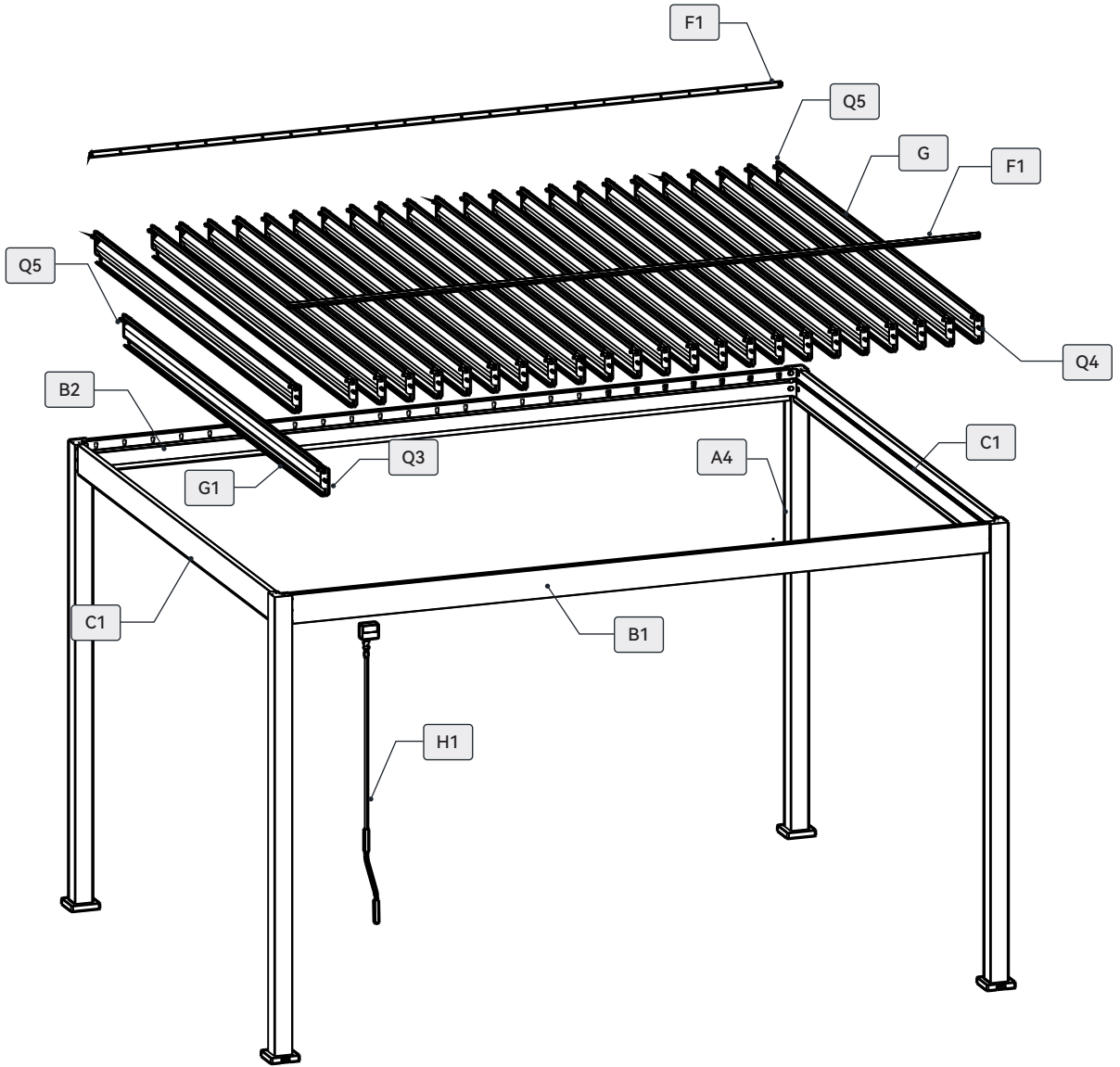
Attention:

Accessory Q10 is installed on the connecting hole of the beam and column.

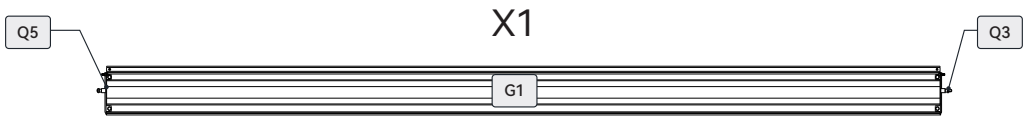
2.5

Q10		24
-----	---	----

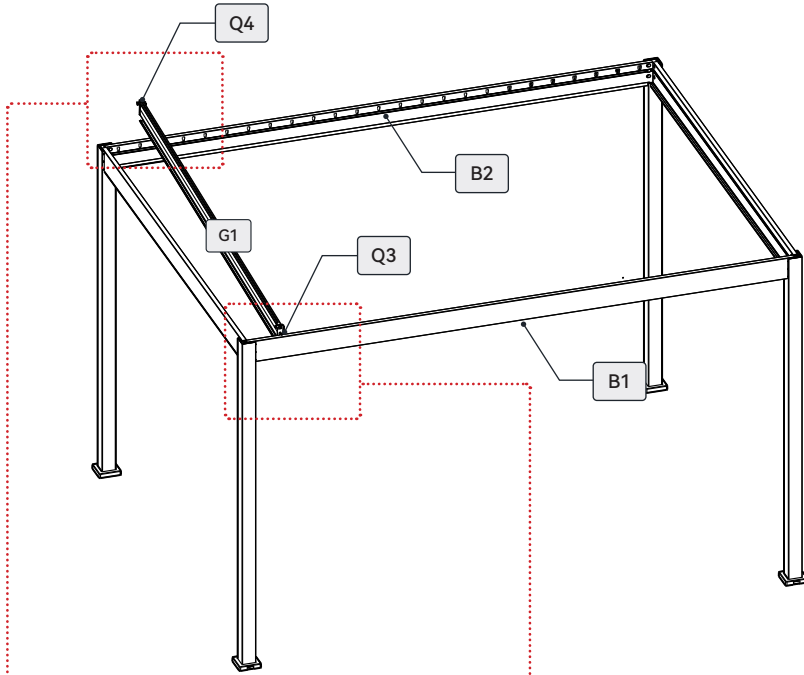




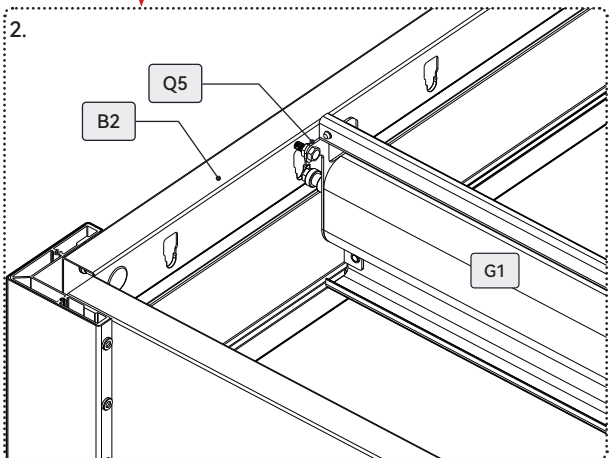
3.1



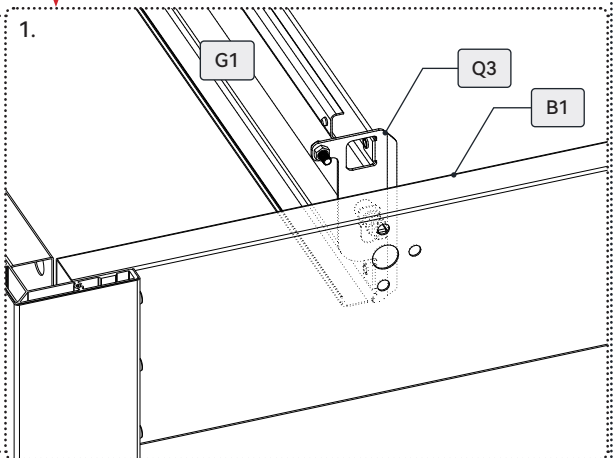
3.2



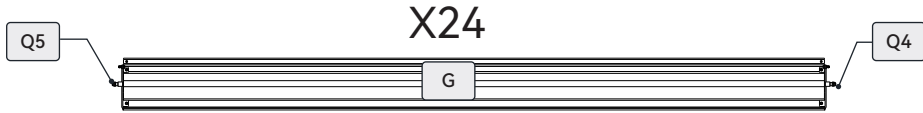
2.



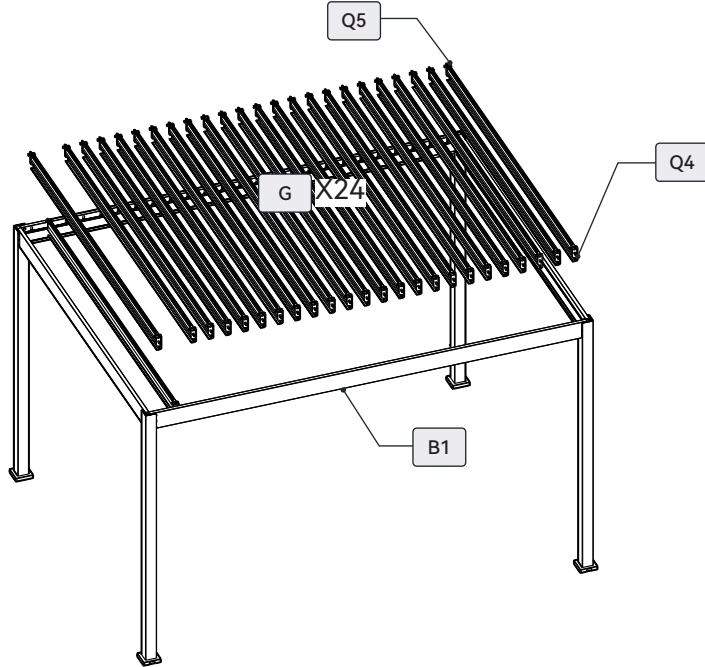
1.



3.3



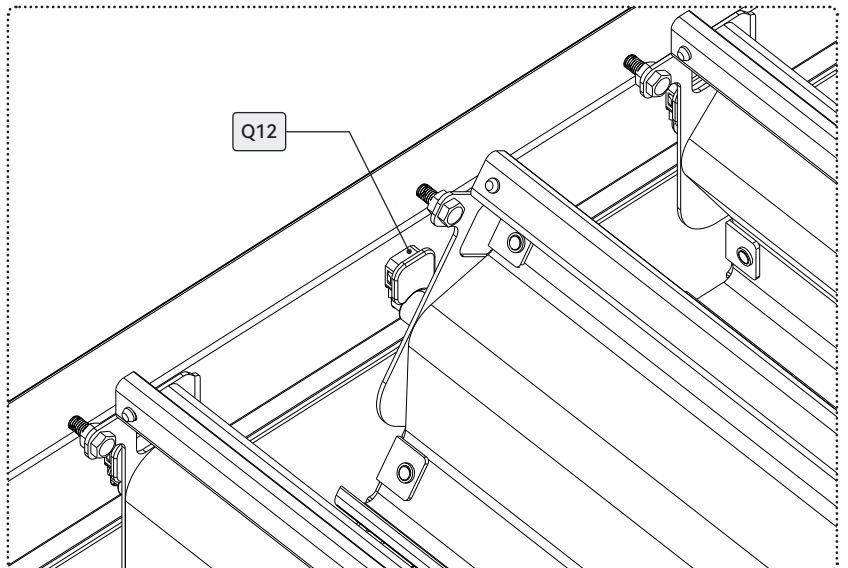
3.4

**Attention:**

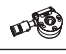


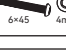
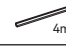

When installing each louver, please note that the rotating shaft should be put in first, and then the end cap Q12 should be installed.

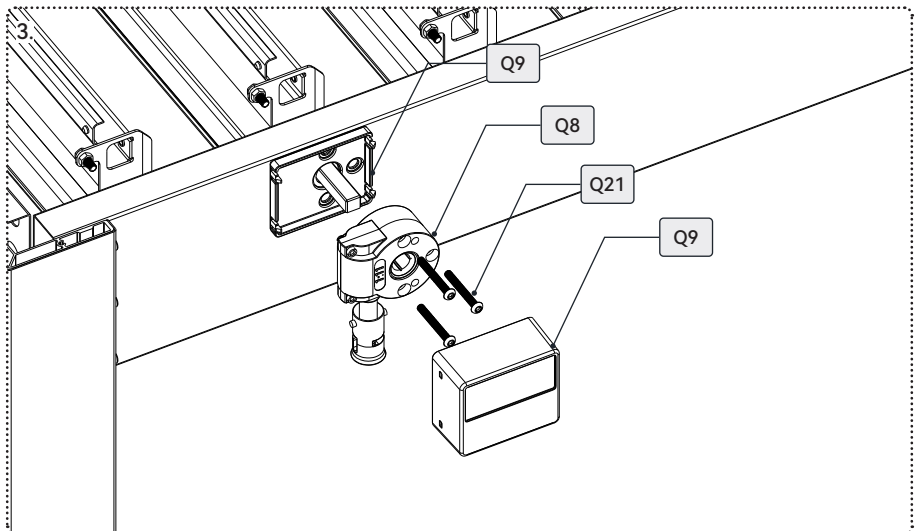
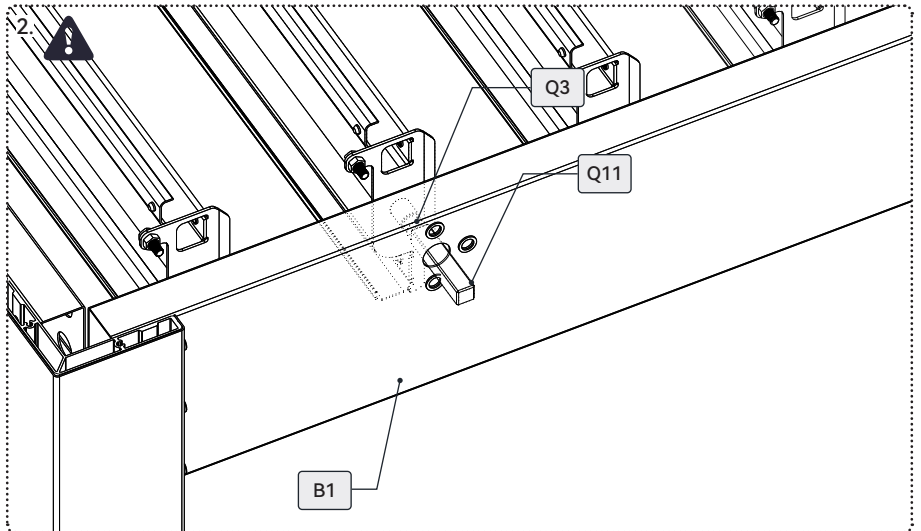
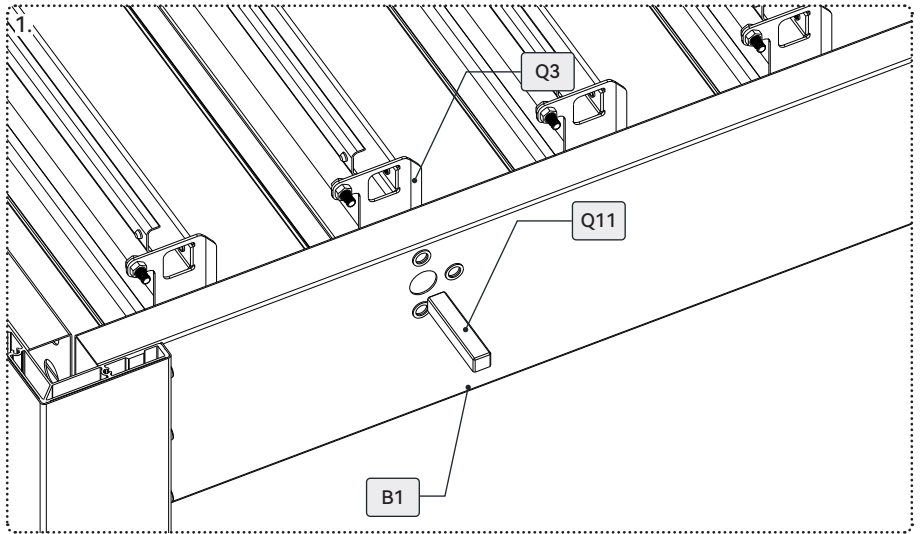
3.5

Q12		50
-----	---	----



3.6

Q8		1
Q9		1
Q11		1
Q21		3
Z3		
Z4		







Attention:

Both ends of the G1 louver require washers and lock nuts to be installed.

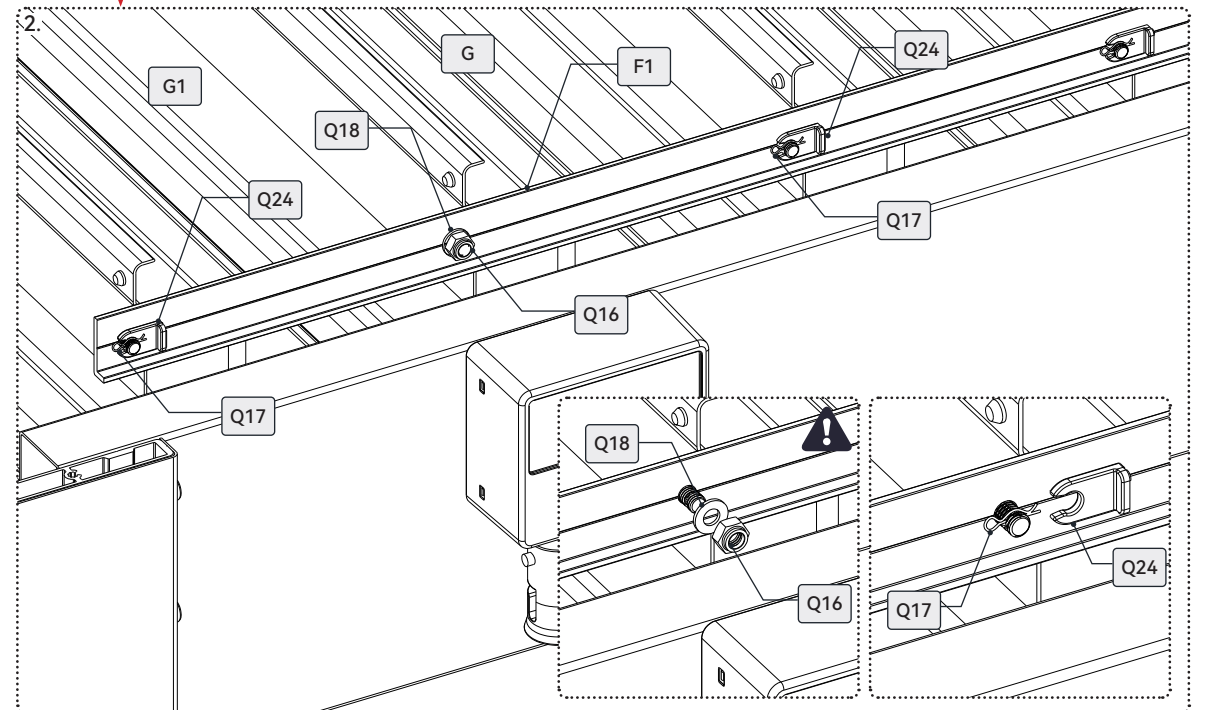
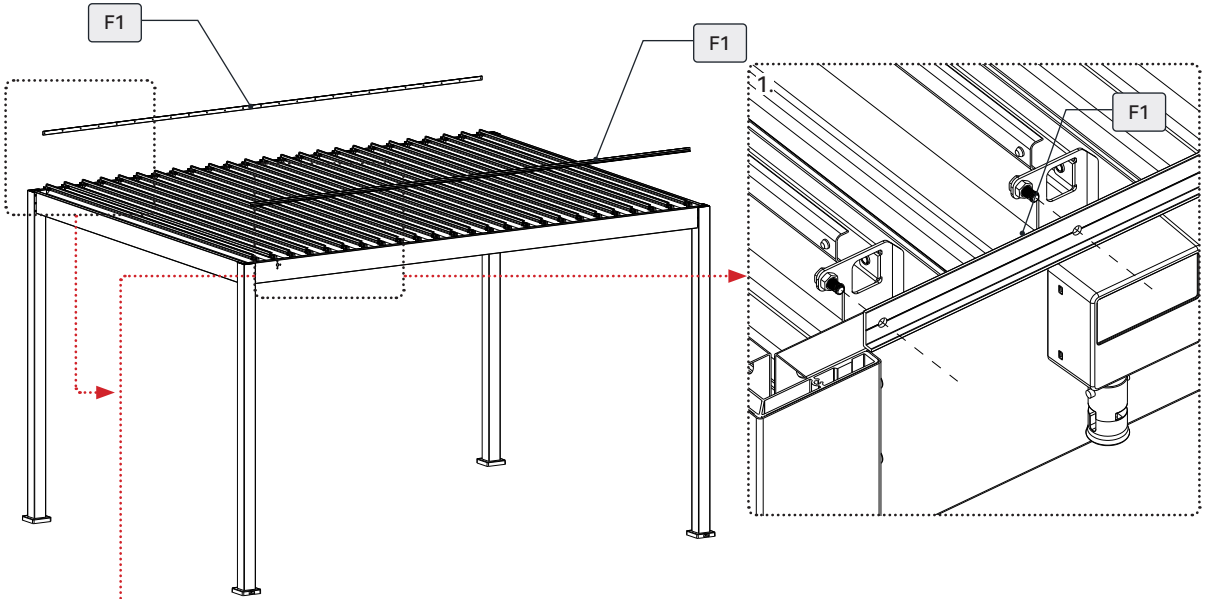
3.7

F1		2
----	---	---


Q17		48
Q24		48



Q16		2
Q18		2

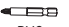
Z7		10mm
----	---	------



3.8

H1		1
----	---	---

Q29		4
Q30		24

Z8		1
----	---	---

